



CZ Instructions for use for LED lighting Solight WO820 and WO821

Dear customer, thank you for purchasing our LED lighting with adjustable light temperature and IP65 protection, which makes it suitable for interiors and exteriors, or areas with increased humidity (bathrooms, technical rooms, etc.). The device has a special switch that enables the adjustment of the light temperature (chromaticity) from warm to neutral to cold white (3000K, 4000K or 6500K). Another switch can be used to set the light output to 16W, 20W and 24W. Please read the following instructions carefully and follow them for safe and satisfactory service. This will prevent its incorrect use or damage. Avoid unprofessional handling of this device and always follow the principles of using electrical appliances. Do not hang anything on the lamp or cover it with anything. Keep the instructions for use carefully. Assembly can only be performed by a qualified worker with qualifications according to decree no. 50/1978 Coll. as amended, at least a knowledgeable employee according to § 5 of Decree no. 50/1978 Coll., as amended. Operating temperature: -20°C to 50°C.

TECHNICAL PARAMETERS / TECHNICAL PARAMETERS

Parameters/ Parameters	WO820	WO821
Operating voltage/ Operating voltage	175-265V AC	175-265V AC
Luminous flux/ Luminous flux	1530/1870/2210lm	3060/3400/3740lm
Consumption/ Consumption	18/22/26W	36/40/44W
Dimensions/ Dimensions	300 x 50 mm	400x50mm
IP coverage/ IP	IP65	IP65
coverage Lighting angle/ Lighting angle	120°	120°
Chromaticity temperature/ Chromaticity temperature	3000K/4000K/6500K	3000K/4000K/6500K

INSTALLATION/INSTALLATION

1. Turn off the power supply
2. On both ends of the bracket, press the buttons to release the bracket
3. Remove the holder
4. Insert the dowels into the pre-drilled holes and screw the holder in the selected place
5. Unscrew the four screws and open the terminal box cover
6. Select the light temperature on the right slider (WW – warm white, NW – neutral white, CW – cool white)
Choose the power of the lamp on the left slider
7. Connect the supply cable to the terminal block and make sure the connection is correct. For securing the supply cable unscrew the screws on one of the two (or both) handles and thread the cable through. Then tighten the handles

8. Place the lamp on the holder

9. Turn on the power supply

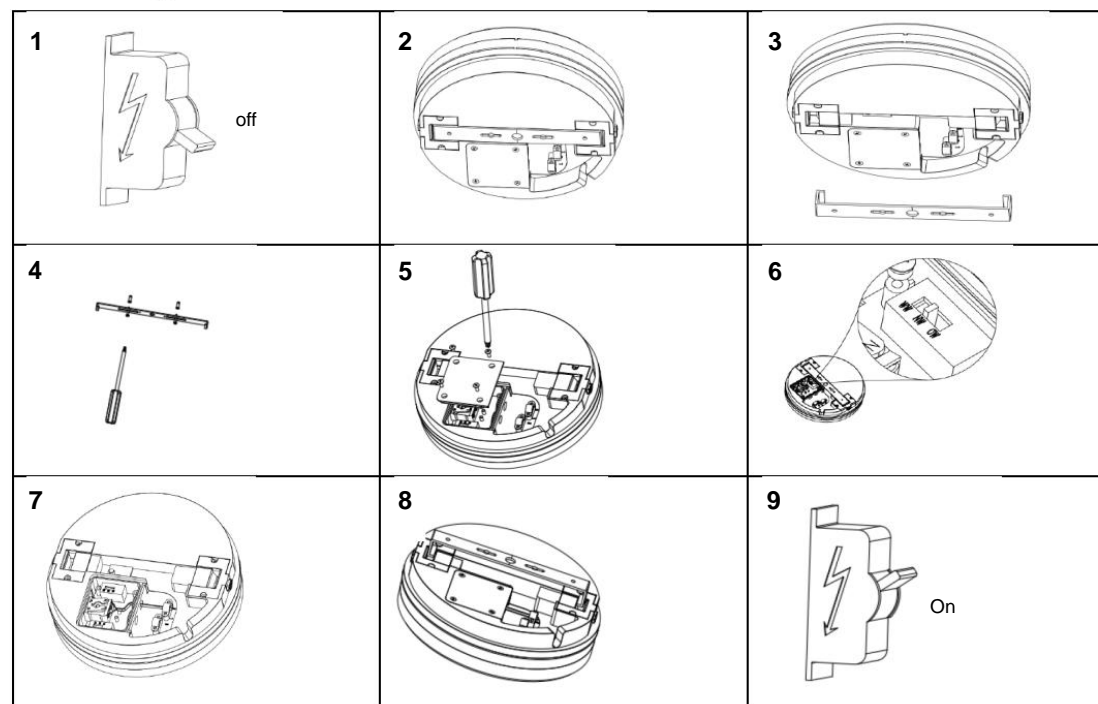
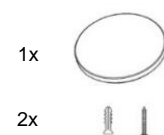
SK

1. Turn off the power supply
2. Press the buttons on both ends of the holder to release it
3. Remove the holder
4. Insert the dowels into the pre-drilled holes and screw the holder in the selected place
5. Unscrew the four screws and open the terminal block cover
6. Select the light temperature on the right slider (WW - warm white, NW - neutral white, CW - cool white)
Select the power of the lamp on the left slider
7. Connect the power cable to the terminal block and check whether the connection is correct. To secure the power cable, unscrew the screws on one of the two (or both) clips and thread the cable through. Then tighten the clamps.
8. Place the lamp on the holder
9. Turn on the power

SK User manual for LED lighting Solight WO820 and WO821

Dear customer, thank you for purchasing our LED lighting with adjustable light temperature and IP65 protection, which makes it suitable for indoor and outdoor spaces or areas with increased humidity (bathrooms, utility rooms, etc.). The device has a special switch that allows you to set the light temperature (chromaticity) from warm to neutral to cold white (3000K, 4000K or 6500K). Another switch allows you to set the light output to 16 W, 20 W and 24 W.. Please read the following instructions carefully and follow them for safe and satisfactory service. This will prevent its incorrect use or damage. Avoid unprofessional handling of this device and always follow the principles of using electrical appliances. Do not hang or cover the lamp with anything. Keep the instructions for use well. Assembly may only be performed by a qualified worker with qualifications according to decree no. 50/1978 Coll. as amended, at least a worker knowledgeable according to § 5 of Decree no. 50/1978 Coll. as amended. Operating temperature: -20 °C to 50 °C.

CONTENTS OF THE PACKAGE / CONTENTS OF THE PACKAGE



The light source of this lamp is non-replaceable, at the end of its useful life it is necessary to replace the whole lamp and dispose of it in a designated place. This product contains a light source that cannot be removed for verification due to design reasons, and therefore the entire product is considered a light source.

The light source of this lamp is non-replaceable, after the end of its useful life, the whole lamp must be replaced and disposed of in a designated place. This product contains a light source, which for design reasons cannot be removed for verification, and therefore the entire product is considered a light source.

The manufacturer is not liable for any damage caused by incorrect use./ The manufacturer is not liable for any damage caused by incorrect use.